

Yocan®



Instructions Manual

Original and Exclusive Manufacturer:
Shenzhen Yocan Technology Co.,Ltd
www.yocan.com
Sha'er Industrial Area, Shajing Street,
Baoan District, Shenzhen, China.



Made in China

SAFETY WARNING & INSTRUCTIONS

Please read information carefully before using the product and keep it in a safe place:

SAFETY WARNING

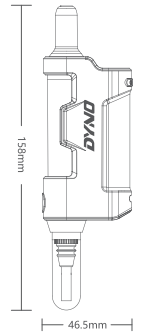
1. Do not expose the device to extreme temperatures.
2. Do not charge your battery through a car.
3. Do not over charge or charge unattended.
4. Do not use the device while charging.
5. Do not disassemble the device or change the battery.

For any post-sale support or assistance, kindly reach out to your direct seller.
<https://www.yocan.com/after-sale-support>

- 1 -

Specification:

Size: 158*46.5*24mm
Thread: Magnetic Connection
Coil Resistance: 0.5Ω
Battery Capacity: 1000mAh
Voltage Range: 2.0-4.2V
Charging Type: 5V/1A Type-C
Charging Time: 1.5h

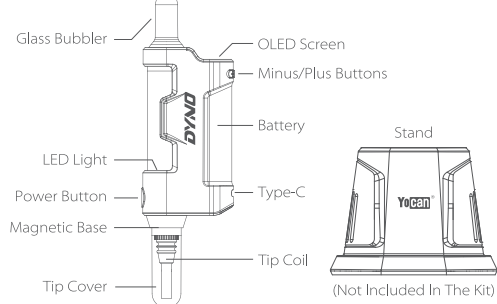


Package Content:

1x Dyno Device	1x Type-C Cable
1x Ceramic Tube Tip	1x Cleaning Brush
1x Tip Cover (Pre-installed)	1x Instructions Manual

- 2 -

How To Use:



- 3 -

1. Turn on/off: Click the power button 5 times within 2s.
2. Coil Installation: Remove the magnetic tip cover, snap the tip coil into the connection base; a successful connection is indicated by the screen displaying the resistance.
3. Adjustable Voltage: 2.0-4.2V
Simply press the "-" and "+" buttons to change the voltage.
4. Adjustable cut-off time: 15-60s

In the power-on state, press the power button 3 times consecutively to access the menu operation interface, as shown in the diagram below:



Use the "-" and "+" buttons to navigate and select functions with the triangular marker, and confirm your selection by pressing the power button.
After confirming TIME by pressing the power button, you will enter the secondary menu for adjusting the timeout settings, as shown below:

- 4 -

Use the "-" and "+" buttons to adjust the cut-off time, and confirm by pressing the power button.

5. Adjustable lamp settings: Dynamic- Lyric- Normal- Close

Follow the same steps to select the LAMP MODE. After confirming LAMP MODE by pressing the power button, you will enter the secondary menu for adjusting the lamp settings, as shown below:

Dynamic: Featuring 7 colors (red, orange, yellow, green, cyan, blue, purple) with soft, gradual transitions in a continuous cycle during operation of the device.

Lyric: During operation, the light breathes in a battery-level color cycle. When not in use, the battery-level light turns off.

Battery level indications are as follows:

Below 3.45V: Red light 3.45-3.7V: Blue light Above 3.7V: Green light

Normal: During operation, the battery level light stays on. When not in use, the battery-level light turns off.

- 5 -

Close: Turn off all lighting effects. An indicator appears in the upper right corner when the light is on; it's absent when the lights are off.

6. Default mode is on-demand: press to start, release to stop.

7. Auto-Mode: Press the power button 2 times, the device will automatically heat for 15-60 seconds, depending on the "TIME" setting, and stop when the time is up.

8. Reset Puff Count: Press "-" and "+" buttons together for 2 seconds while the device is on. (Note: The puff count accumulates every 5 seconds of vaping.)

Protection:

OVER TIME: The device will heat for 15-60 seconds and stops working, depending on the TIME setting.

NO ATOMIZER: No atomizer attached or bad connection.

SHORT ATOMIZER: Atomizer short-circuited.

- 6 -

LOW RESISTANCE: Atomizer is lower than 0.4Ω, stops working.

LOW BATTERY: Battery is low, please charge the battery.

Caution:

Keep the device away from any environment involving strong acids, alkaline, combustible materials, water, or any other liquids.

Do not keep in hot cars or store above the room temperature of 74F.

Do not use damaged batteries. If the battery casing is damaged, discontinue use and safely recycle the battery.

Do not use the battery if contacts become exposed to solid or liquid matter.

Shorts can result in fire or an explosion of a battery.

Do not touch coils when hot. Severe burns can result in.

Do not touch hot material. Severe burns can result in.

If the device gets too hot in use, please stop using it for a while.

- 7 -

Not for use with nicotine or other nicotine salt products. Not an ENDS device

Disclaimers:

People under 21 years of age are not permitted to purchase or use this device. Non-smokers, children, and women breastfeeding should not use this product. The device is not a medical device and is not intended to diagnose, cure or prevent any diseases or other conditions. The manufacturers and sellers will not be responsible for any consequential or incidental damage resulting from the sale or use of any merchandise.

- 8 -